

# Medical Video Recorder

## IPS710A



- Intuitive, multi-language user interface
- HD video recording
- Capture photo while recording video
- 1 terabyte internal hard disk drive
- DICOM SCU storage
- Modality work list integration
- Simultaneously record to internal HDD and ext. USB flash drive
- Works with FSN's VACS® software
- Compatible with Sony® medical color printer
- Medical grade touch screen support

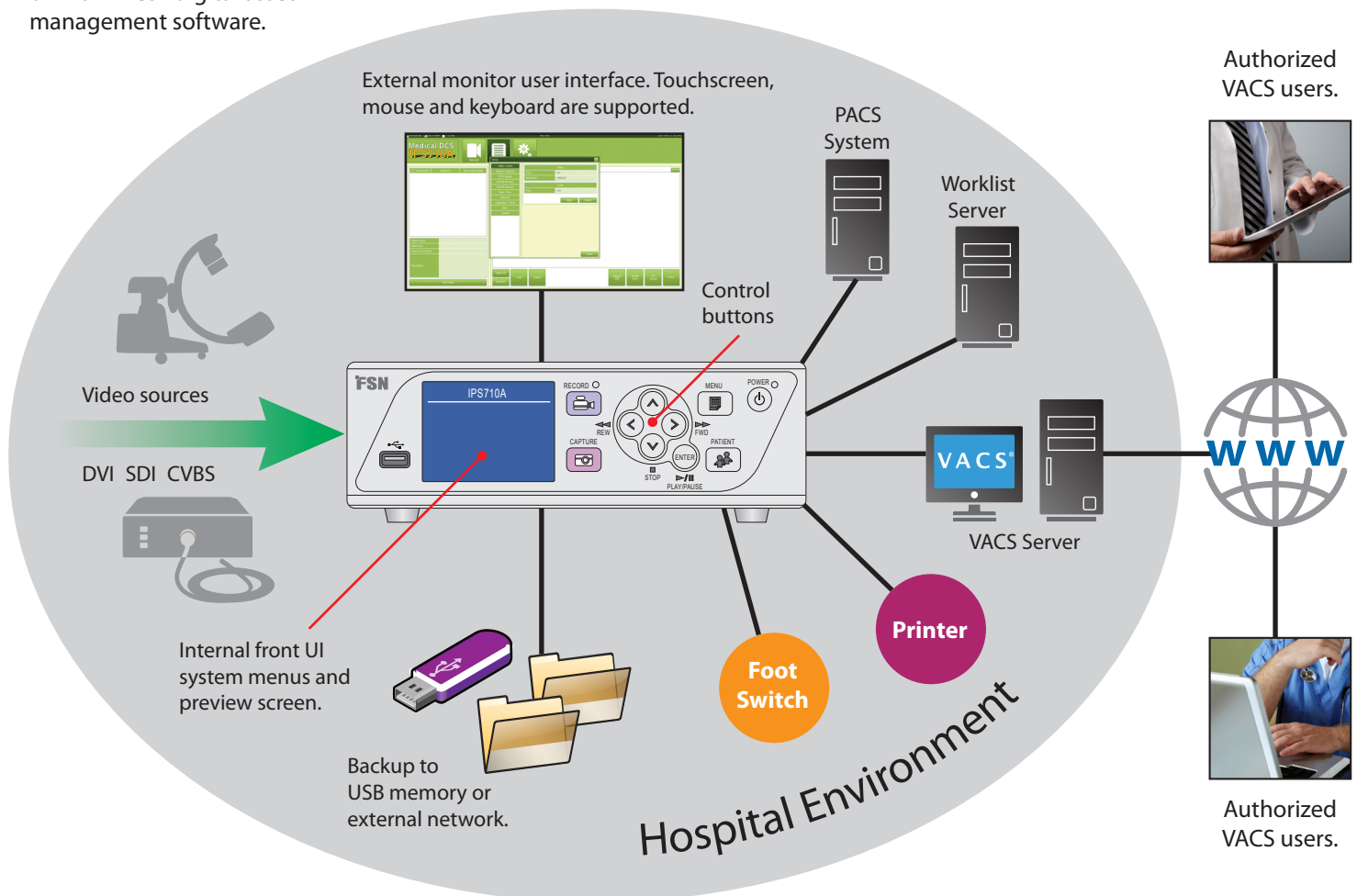


IPS710A from FSN Medical Technologies is an all-in-one medical video recording system. It captures still images or records extended sessions from live video signals. IPS710A can simultaneously record to internal and external memory, providing a fast, real-time external video back-up solution. Lightweight and portable, IPS710A features video recording up to 1080P at 60Hz. System controls can be managed using the screen and buttons on front of the unit, an external monitor with mouse and keyboard, or with VACS® digital asset management software.



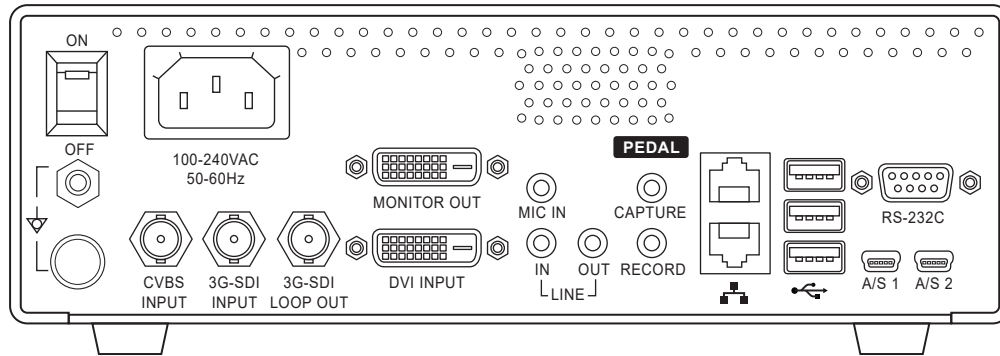
### VACS® More Control Compared to Standalone Recorders.

When integrated with IPS710A, VACS® and VACS® Lite software can retrieve electronic health records, capture video or still images during a procedure, send DICOM compliant images to a PACS system, and share all content with other colleagues. These digital asset management capabilities make it easy to find and use medical imaging content, even very large video files. This is achieved through a convenient password protected web browser interface.



# Medical Video Recorder

## IPS710A



### General Features

Item	Description
Main Functions	Still image capture Up to 1920 x 1080p
	Video recording Up to 1920 x 1080p/60
	Standalone preview Front 3.5 inch TFT LCD screen
	Menu access Front LCD screen or graphic user interface running on a standalone touchscreen or monitor/mouse/keyboard.
	Worklist query Direct access to HIS
	DICOM store Direct access to PACS
Audio & Video Inputs	DVI DVI-D(up to 1920x1200p/60)
	3G SDI BNC x 1 ea, 75Ω(up to 3G)
	Composite Video BNC x 1 ea, 75Ω (NTSC, PAL)
	Audio 3.5mm Stereo x 2ea, Mic in, Line in <i>Note: only one video input can be recorded at a time.</i>
Audio & Video Outputs	Monitor output DVI-D
	Loop out 3G SDI
	Audio 3.5mm Stereo x 1 ea, Line out
Data I/O	USB2.0 Front : 1, Rear : 3
	RS-232C DB9 (female) connector x 1ea
	Ethernet RJ45 x 2ea ( 10/100/1000M )
	Keyboard / Mouse USB type
	Foot pedal 3.5mm stereo jack x 2ea, Record, Capture
Recording and Capture	Recording resolution 480P60, 720P60, 1080P60
	Video format AVI, MOV
	Video quality High, Middle, Low
	Video codec H.264
	Capture image resolution 480P, 720P, 1080P
	Capture image format BMP, JPEG, DICOM
	Audio format AAC

Item	Description
Storage	Internal HDD 1TB standard
	External USB storage External SSD HDD and USB memory stick
	USB data format FAT32 format
	Network drive CIFS
	Network transfer FTP file transfer
General	Multi-language UI Spanish, Italian, French, German, Polish, Portuguese, Chinese, Korean, Japanese, English
	Power requirements AC 100-240V / 50-60Hz, 0.6A (max)
	Power consumption 32.5W max.
	Dimensions 250mm wide x 80mm high x 300mm deep
	Weight 2.9 Kg / 6.40 lbs.
Temperature	Operating: 0° to +40° C (+32° to +104° F)
	Storage: -20° to + 60° C (-4° to +140° F)
Humidity	Operating: 20 - 85% RH
	Storage: 5 - 85% RH
Component Support	Touch Panel (medical)
	Printer Sony UP-DR80MD
	Modality Work List DICOM SCU storage
Compliance & Certifications	UL 60601.1, EN 60601, CE, MDD 93/42/EEC, ISO 9001, ISO 13485 Class 1 Medical Device, RoHS HIPPA Compliance, SSL Certificate

Specifications are subject to change with or without notice. Doc.# FSN1977 Rev. 10/18

[www.fsnmed.com](http://www.fsnmed.com)

Foreseeson Custom Displays, Inc.  
2210 E. Winston Road  
Anaheim, CA 92806 USA  
Tel: 714-300-0540  
Fax: 714-300-0546

San Jose, CA Tel: 714-507-3851  
Fork Lee, NJ Tel: 714-507-3852

Foreseeson Korea  
404B, PangyoInnovalley B  
253 Pangyo-ro  
Bundang-gu Seongnam-si  
Gyeonggi-do, Korea 463-400  
Tel: +82-31-8018-0780  
Fax: +82-31-8018-0786

Foreseeson GmbH  
Industriestrasse 38a  
63150 Heusenstamm, Germany  
Tel: +49 6104 64398 0  
Fax: +49 6104 64398 11

Foreseeson UK Ltd.  
Unit 71 Barwell Business Park  
Leatherhead Road  
Chessington, Surrey KT9 2NY  
Tel: +44 (0) 208 546 1047

Foreseeson (Shanghai)  
Medical Equipment Co., Ltd.  
Room 307, 3F  
No. 56, 461 Hongcao Road  
Caohejing Development District  
Xuhui, Shanghai 200233  
Tel: 86-21-6113-4188